

American Standard®

WATER HEATERS

Residential / Commercial Line

POINT-OF-USE Electric Water Heaters

— FEATURES —

- Heavy Gauge Steel Tank.
- Inner Tank Glass-Lined – with Dura-Glas™ & fired at 1600° F for optimum protection from the effects of corrosion.
- Non-CFC Energy-Saving Foam Insulation – reduces energy cost by maximizing heat retention.
- Anode Rod – to ensure longer tank life.
- Immersion Heating Element – applies heat directly to water.
- Fully Adjustable Thermostat Control – for variable temperature control to 160° F.
- Factory Installed Energy Cut-off System.
- Top & Side Water Connections – on 6-20 Gallon Models affording choice of cold-in & hot-out connections.
- Factory Installed Temperature and Pressure Relief Valve
- Drain Valve Factory Installed – on all models for easy draining of tank.
- AMERICAN STANDARD Point-Of-Use Electric Water Heaters – are certified at 300 PSI test pressure & 150 PSI working pressure & all tanks are 100% hydrostatically tested at the factory.
- UL Listed.
- Commercial and Residential Limited Warranties – Commercial applications come with a 3 year limited warranty on inner glass-lined tank & 1 year limited warranty on all other component parts. Residential applications come with 6 year limited warranty on inner glass-lined tank & 6 year limited warranty on all other component parts.

THESE WATER HEATERS MEET OR EXCEED
ASHRAE 90.1B - 2001 STANDARD AND
ARE LISTED WITH THE CALIFORNIA
ENERGY COMMISSION.

Model	Gallon Capacity
CE - 2½ - AS	2½
CE - 6 - AS	6
CE - 12 - AS	12
CE - 20 - AS	19

American Standard Point-Of-Use Electric Models – are the ideal solution for hot water requirements in locations where it is not practical to run long hot water pipes. These models can be installed in spaces under counters, mop sinks, cabinets or in other confined areas.



Model CE-12-AS



Model CE-20-AS



Model CE-2½-AS



Model CE-6-AS

Residential / Commercial

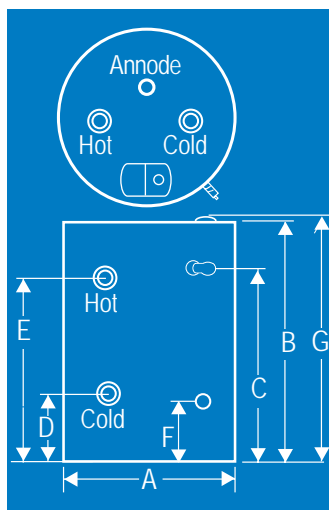
American Standard®

WATER HEATERS

3515 Lakeshore Drive, Saint Joseph, MI 49085
(800) 900-9063 * (909) 392-0230 * FAX (909) 392-7302

SPECIFICATIONS AND APPLICATION DATA

DIMENSIONS IN INCHES



MODEL	CE-2 ^{1/2} -AS	CE-6-AS	CE-12-AS	CE-20-AS
GALLON CAPACITY	2 ^{1/2}	6	12	19
STANDARD KW INPUT	1.44*	1.5	1.5	1.5
MAXIMUM KW INPUT	1.5*	4.5	5.5	6.0
EXTERIOR DIMENSIONS				
A Jacket Diameter	10	13 ⁷ / ₈	15 ⁷ / ₈	18 ¹ / ₂
B Floor to Top of Heater	12 ⁷ / ₈	14 ⁵ / ₈	21 ¹ / ₂	24 ¹ / ₂
C Floor to T & P Valve	N/A	10 ⁷ / ₈	17 ¹ / ₄	19 ⁷ / ₈
D Floor to Side Cold	N/A	2 ³ / ₄	2 ³ / ₄	2 ³ / ₄
E Floor to Side Hot	N/A	10 ⁷ / ₈	17 ¹ / ₄	19 ⁷ / ₈
F Floor to Drain Valve	2 ³ / ₄	2 ³ / ₄	2 ³ / ₄	2 ³ / ₄
G Floor to Top Water Connections	13 ⁵ / ₈	15 ¹ / ₂	21 ⁷ / ₈	24 ⁷ / ₈
CONNECTIONS				
Water Connections	3/4	3/4	3/4	3/4
SHIPPING WEIGHT (in pounds approximate)				
	22.5	38.5	61	78

* CE-2 1/2-AS available in 1,440 Watts 120 Volts & 1,500 Watts 240 Volts only

ELECTRICAL CHARACTERISTICS

SINGLE PHASE FULL LOAD AMPERAGE DRAW					
ELEMENT WATTAGE	120V	208V	240V	277V	480V
1440	12	N/A	6	N/A	N/A
1500	12.5	7.2	6.3	5.4	3.1
2000	16.7	9.6	8.3	7.2	4.2
2500	20.8	12.0	10.4	9.0	5.2
3000	25.0	14.4	12.5	10.8	6.3
3500	N/A	16.8	14.6	12.6	7.3
4000	N/A	19.2	16.7	14.4	8.3
4500	N/A	21.6	18.8	16.2	9.4
5000	N/A	24.0	20.8	18.1	10.4
5500	N/A	N/A	22.9	19.9	11.5
6000	N/A	N/A	25.0	21.7	12.5

GPH RECOVERY AT VARIOUS TEMPERATURE RISES

WATTS	TEMPERATURE RISE						
	40°F	50°F	60°F	70°F	80°F	90°F	100°F
1440	14.4	11.5	9.6	8.6	7.7	6.7	5.8
1500	15.0	12.0	10.0	9.0	8.0	7.0	6.0
2000	20.0	16.0	14.0	12.0	10.0	9.0	8.0
2500	26.0	20.0	17.0	15.0	13.0	11.0	10.0
3000	30.7	24.6	20.5	17.6	15.4	13.9	12.3
3500	35.8	28.7	23.9	20.5	17.9	16.2	14.5
4000	41.0	32.8	27.3	23.4	20.5	18.5	16.4
4500	46.1	36.8	30.7	26.4	23.0	20.7	18.4
5000	51.2	41.0	34.1	29.3	25.6	23.1	20.5
5500	56.4	45.1	37.5	32.2	28.2	25.4	22.5
6000	61.4	49.2	41.0	35.1	30.7	27.3	24.6

* CE-2 1/2-AS available in 1,440 Watts 120 Volts & 1,500 Watts 240 Volts only



American Standard[®]
WATER HEATERS

3515 Lakeshore Drive, Saint Joseph, MI 49085
(800) 900-9063 * (909) 392-0230 * FAX (909) 392-7302