

Residential Ultra Low NOx Power Vent Gas Water Heater



Photo is of
URG1PV40S6N

The TTW[®] FVIR Eco-Defender Safety System[®] Models Feature:

- **ENERGY STAR[®] Qualified**—Some models qualify for the September 1, 2010 minimum ENERGY STAR[®] EF requirement, as well as most utility rebate programs.
- **Ultra Low NOx Burner with Primary and Secondary Air Distribution Devices**—Ensures proper air to gas ratio for reduction of NOx generated by the combustion process.
- **Defender Combustion Chamber**—Incorporates the Advanced ScreenLok[®] Technology Flame Arrestor and large split-door design to prevent ignition of flammable vapors outside the water heater.
- **Flammable Vapor Sensor and Resettable Thermal Switch**—Coordinates with control to prevent burner operation if flammable vapors are detected. The sensor will also prevent operation if there is ongoing flammable vapor burn inside the combustion chamber (excluding URG2PV75H6N).
- **Maintenance-Free**—No regular cleaning of air inlet openings or flame arrestor is required under normal conditions.
- **Sight Window**—Offers a view into the combustion chamber to observe the operation of the pilot and burner.
- **Bradford White ICON System[™]**—Intelligent gas control with spark to pilot ignition system eliminates the constant burning pilot. This results in savings of pilot gas during standby periods (120 V.A.C.).
 - **Enhanced Performance**—Proprietary algorithms provide enhanced First Hour Rating and tighter temperature differential.
 - **Advanced Temperature Control System**—Microprocessor constantly monitors and controls burner operation to maintain consistent and accurate water temperature levels.
 - **Intelligent Diagnostics**—An exclusive green LED light prompts the installer during start-up and provides ten different diagnostic codes to assist in troubleshooting.
 - **Separate Immersed Thermowell**—High-strength advanced polymer composite thermowell provides isolation between electric temperature sensor and surrounding water. No need to drain the tank when removing gas valve.
- **Powerful Blower Motor**—Our significantly quiet design has greater resistance to outside winds and the power to vent in many difficult venting situations.
- **Horizontal and Vertical Venting**—PVC, ABS or CPVC (Maximum equivalent vent length on reverse side).
- **Factory-Installed Hydrojet[®] Total Performance System**—Sediment reducing device that also increases first hour delivery of hot water while minimizing temperature build-up in tank.
- **Vitrage[®] Lining**—An exclusively engineered enamel formula that provides superior tank protection from the highly corrosive effects of hot water. This formula (Vitrage[®]) is fused to the steel surface by firing at a temperature of over 1600°F (871°C).
- **Insulation System**—Non-CFC foam covers the sides and top of the tank, reducing heat loss. This results in less energy consumption, improved efficiencies, and jacket rigidity.
- **Water Connections**—3/4" (19mm) NPT factory-installed true dielectric fittings extend water heater life and simplify water line connections.
- **Factory-Installed Heat Traps**—Design incorporates a flexible disk that reduces heat loss in piping and eliminates the potential for noise generation.
- **Protective Magnesium Anode Rod.**
- **Pedestal Base.**
- **T&P Relief Valve**—Installed.
- **Low Restrictive Brass Drain Valve**—Durable tamper proof design.
- **All models comply with the latest Ultra Low NOx requirement (10 ng/J NOx limit) except URG2PV75H6N (14 ng/J NOx limit).**

FEATURING:



6 or 10-Year Limited Tank Warranties / 6 or 10-Year Limited Warranty on Component Parts.

For more information on warranty, please visit www.bradfordwhite.com

For products installed in USA, Canada and Puerto Rico. Some states do not allow limitations on warranties. See complete copy of the warranty included with the heater.

Residential Power Vent Gas Water Heater

TTW® Ultra Low NOx Models

NATURAL GAS

Meet or exceed ASHRAE 90.1b (current standard) C.E.C. Listed
80% Recovery Efficiency

Model Number	Nominal Capacity		DOE Rated Storage Volume (Gal.)	Nat. BTU/Hr. Input	First Hour Rating (Gal.)	Uniform Energy Factor	Recovery 90°F Rise*		Model Number	Nominal Capacity		DOE Rated Storage Volume (Liters)	Nat. kW Input	First Hour Rating (Liters)	Uniform Energy Factor	Recovery 50°C Rise*	
	U.S. Gal.	Imp. Gal.					Nat. U.S. GPH	Nat. Imp. GPH		Liters	Liters					Nat. Liters/Hour	
URG1PV40S6N	40	33	38	40,000	72	0.63	43	36	URG1PV40S6N	151	144	11.7	273	0.63	163		
URG1PV50S6N	50	42	48	40,000	81	0.67	43	36	URG1PV50S6N	189	182	11.7	307	0.67	163		
★ URG2PV40T6N	40	33	38	40,000	72	0.67	43	36	★ URG2PV40T6N	151	144	11.7	273	0.67	163		
★ URG2PV50T6N	50	42	48	40,000	81	0.70	43	36	★ URG2PV50T6N	189	182	11.7	307	0.70	163		
★ URG2PV50H6N	48	40	46	56,000	90	0.70	60	50	★ URG2PV50H6N	182	174	16.4	341	0.70	227		
URG2PV75H6N	75	62	72	76,000	126	0.59	82	68	URG2PV75H6N	284	273	22.3	477	0.59	310		

Model Number	A Floor to Vent Conn. in.	B Jacket Dia. in.	C Vent Size in.	D Floor to T&P Conn. in.	E Floor to Gas Conn. in.	F Floor to Top of Heater in.	G Floor to Water Conn. in.	H Depth in.	J C/L of Water Conn. in.	L Floor to Space Heating Inlet in.	M Floor to Space Heating Outlet in.	Approx. Shipping Weight lbs.
URG1PV40S6N	57 1/4	20	2 or 3	40	11 3/4	47 1/8	48 1/2	24 7/8	8	N/A	N/A	144
URG1PV50S6N	58 1/4	22	2 or 3	40 5/8	11 3/4	48 1/8	49 1/2	26 7/8	8	N/A	N/A	169
★ URG2PV40T6N	66 7/8	20	2 or 3	49 7/8	11 3/4	56 5/8	58	24 7/16	8	N/A	N/A	151
★ URG2PV50T6N	66 7/8	22	2 or 3	49 7/8	11 3/4	56 5/8	58	26 7/16	8	N/A	N/A	176
★ URG2PV50H6N	66 3/8	22	3 or 4	49 7/8	11 3/4	56 5/8	58	26 1/2	11	13 1/2	50 1/8	192
URG2PV75H6N	69 1/4	26	3 or 4	51 7/8	11 3/4	59 1/2	61	30 1/4	11	13 3/8	51 1/2	270

Model Number	A Floor to Vent Conn. mm.	B Jacket Dia. mm.	C Vent Size mm.	D Floor to T&P Conn. mm.	E Floor to Gas Conn. mm.	F Floor to Top of Heater mm.	G Floor to Water Conn. mm.	H Depth mm.	J C/L of Water Conn. mm.	L Floor to Space Heating Inlet mm.	M Floor to Space Heating Outlet mm.	Approx. Shipping Weight kg.
URG1PV40S6N	1454	508	51 or 76	1016	298	1197	1232	632	203	N/A	N/A	65
URG1PV50S6N	1480	559	51 or 76	1032	298	1222	1257	683	203	N/A	N/A	77
★ URG2PV40T6N	1699	508	51 or 76	1267	298	1438	1473	621	203	N/A	N/A	68
★ URG2PV50T6N	1699	559	51 or 76	1267	298	1438	1473	672	203	N/A	N/A	80
★ URG2PV50H6N	1686	559	76 or 102	1267	298	1438	1473	673	279	343	1273	87
URG2PV75H6N	1759	660	76 or 102	1318	298	1511	1549	768	279	340	1308	122

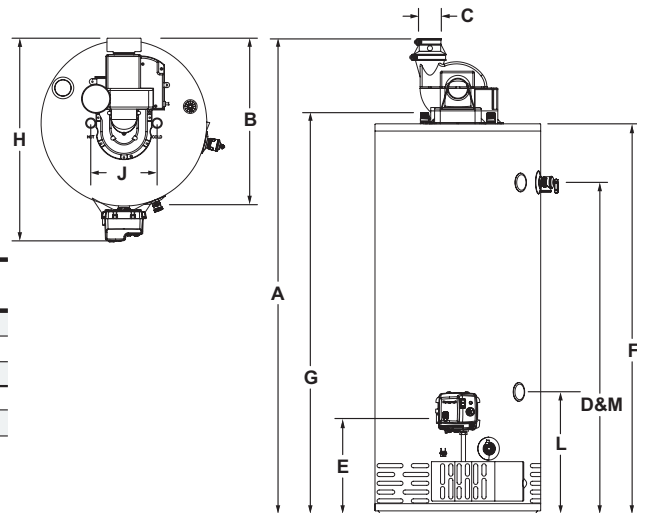
Available in Natural Gas only. For 10 year models, change suffix from "6" to "10".

*Based on manufacturer's rated recovery efficiency.

110 VAC Required for Power Venting / 110 VAC, 60HZ, 3.1 Amperes.

Uniform Energy Factor and First Hour Rating is based on the latest AHRI directory listings.

★ = ENERGY STAR® Qualified.



URG1PV40S6N URG1PV50S6N URG2PV40T6N URG2PV50T6N	2" Vent Pipe	3" Vent Pipe	URG2PV50H6N URG2PV75H6N	3" Vent Pipe	4" Vent Pipe
Max. Equivalent Length	†50 ft.	†120 ft.	Max. Equivalent Length	†50 ft.**	†180 ft.**
Min. Equivalent Length	7 ft.	15 ft.	Min. Equivalent Length	7 ft.	15 ft.
Number of 90° Elbows	1 2 3	45 ft. 40 ft. 35 ft.	Number of 90° Elbows	1 2 3	175 ft. 170 ft. 165 ft.

†For high altitude installations, consult the installation instructions.

**URG2PV75H6N maximum 3" vent is 50 ft.

General: All gas water heaters are certified at 300 PSI (2068 kPa) test pressure and 150 PSI (1034 kPa) working pressure.

All water connections are 3/4" NPT (19mm) all gas connections are 1/2" (13mm).

All models design-certified by CSA International (formerly AGA/CGA), ANSI Z-21.10.1 (ANSI Z-21.10.3 for 75 gallon) and peak performance rated.

Dimensions and specifications subject to change without notice in accordance with our policy of continuous product improvement.

Suitable for Water (Potable) Heating and Space Heating.

Toxic chemicals, such as those used for boiler treatment, shall NEVER be introduced into this system. This unit may NEVER be connected to any existing heating system or component(s) previously used with a non-potable water heating appliance.



For U.S. and Canada field service, contact your professional installer or local Bradford White sales representative.

Sales 800-523-2931 • Fax 215-641-1670 / Technical Support 800-334-3393 • Fax 269-795-1089 • Warranty 800-531-2111 • Fax 269-795-1089

International: Telephone 215-641-9400 • Telefax 215-641-9750 / www.bradfordwhite.com

BRADFORD WHITE-CANADA® INC. Sales / Technical Support 866-690-0961 / 905-238-0100 • Fax 905-238-0105 / www.bradfordwhite.com

Built to be the Best™