

# Home Care Technical Specification

## Hand Held Shower Attachment

## DN7080

### Stock Numbers:

- q **DN7080 – Hand Held Shower Attachment**  
White

For use on:

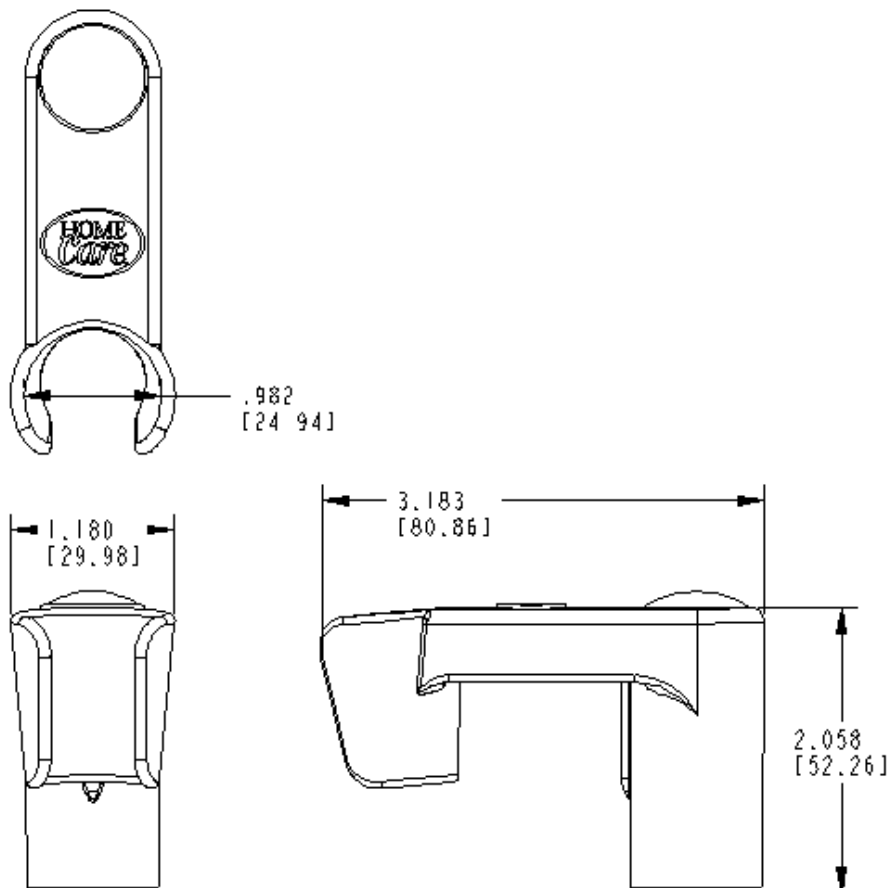
**DN7060 – Adjustable Tub / Shower Chair**

**DN7065 – Transfer Bench**

### Materials:

Hand Held Shower Attachment is made from ABS plastic.

### Dimensions:



### Installation Instructions:

No assembly required.

**Stock Number:** \_\_\_\_\_ **Hand Held Shower Attachment**  
By Creative Specialties



25300 AL MOEN DRIVE • NORTH OLMSTED, OH 44070  
CORPORATE HEADQUARTERS: (800) 321-8809 • FAX: (800) 848-6636  
INTERNATIONAL: (440) 962-2000 • FAX: (440) 962-2726  
CUSTOMER SERVICE (USA): 800-882-0116 • FAX: (888) 379-2720  
©Copyright Creative Specialties International 2003