

► **Code Number**
318001

► **Description**

Fixture Wall (FW) Push Button Assembly for use with Sloan Series 900 Hydraulic Flushometers. Recommended for installation where access behind the wall is available. Also for use with Sloan Easy Access™ Wall Box.

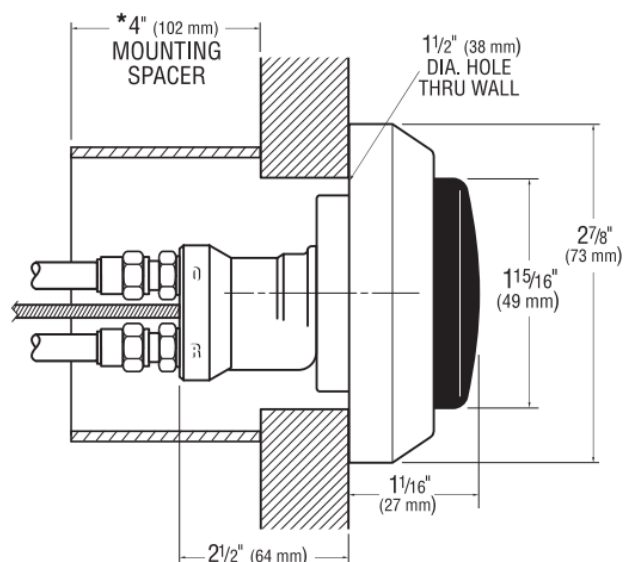
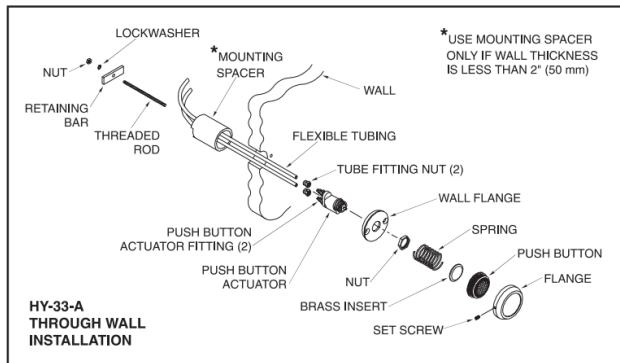
► **Specifications**

Hydraulically Operated Push Button Assembly that includes the following features:

- ADA Compliant Non-Hold-Open feature type Actuator
- Large diameter, Spring Loaded Button
- "Wall Clamp and Threaded Rod for through the wall installation (for walls up to 8" (200 mm) thick) - Spacer provided for walls less than 2" (50 mm) thick"
- Mounting fasteners for installation on Sloan Easy Access Wall Box
- "Two 36" (914 mm) long flexible tubing for connection to Sloan Series 900 Hydraulic Flushometer"

See Hydraulic Flushometer Specification pages in this section for details on Hydraulically Operated Flushometers.

► **ROUGH-IN**



► **Compliance**



This space for Architect/Engineer Approval