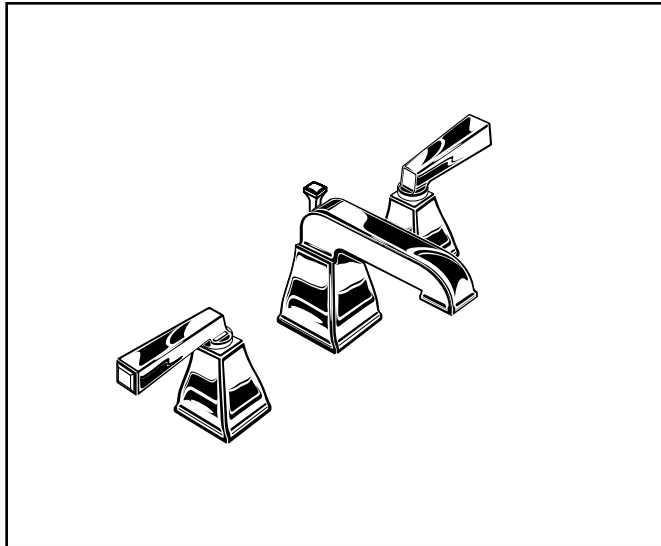


American Standard

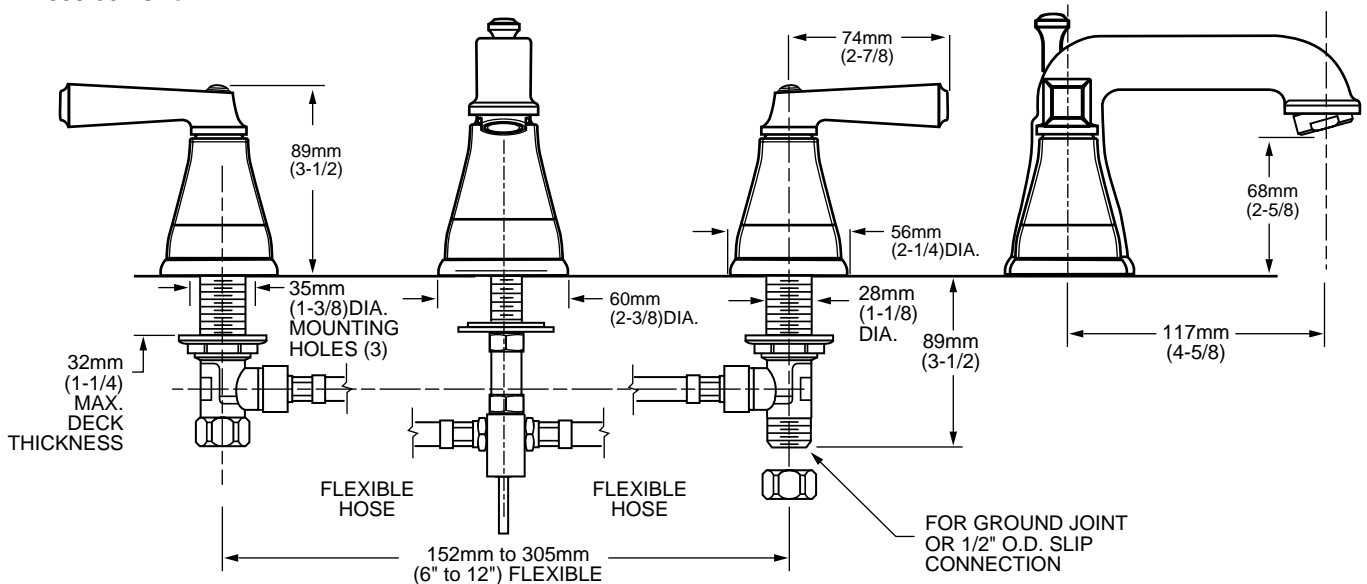
Town Square TWO-HANDLE WIDESPREAD LAVATORY FAUCET WITH BRASS SPOUT



2555.801 Shown

MODEL NUMBER:

- 2555.801 Widespread Lavatory
Pop-up drain. Metal Lever handles.



GENERAL DESCRIPTION:

Cast brass valve bodies with flexible hose connections for 6" to 12" (152mm to 305mm) installations. 1/4 turn washerless ceramic disc valve cartridges. Cast brass spout. One-half inch male inlet shanks. All brass drain body with 1-1/4" (32mm) tailpiece. 2.2 gpm/8.3L/min. maximum flow rate.

PRODUCT FEATURES:

Brass Construction: Durable. Ideal for prolonged contact with water. Provides the finest surface for application of colors and finishes.

Ceramic Disc Valve Cartridges: Assures a lifetime of drip-free performance.

Low Lead: Meets NSF Standard 61/Section 9 & Prop 65 lead requirements.

Exclusive Handle Alignment System: Allows fine tuning of handle position.

Choice of Finishes: Available in Polished Chrome, Polished Brass (PVD), and Satin (PVD).

SUGGESTED SPECIFICATION:

Two handle widespread lavatory faucet shall feature cast brass valve bodies with flexible hose connections for 6" to 12" installations. Shall also feature 1/4 turn washerless ceramic disc valve cartridges that are reversible for use with cross or lever handles. Fitting shall be American Standard Model #2555.801._____.

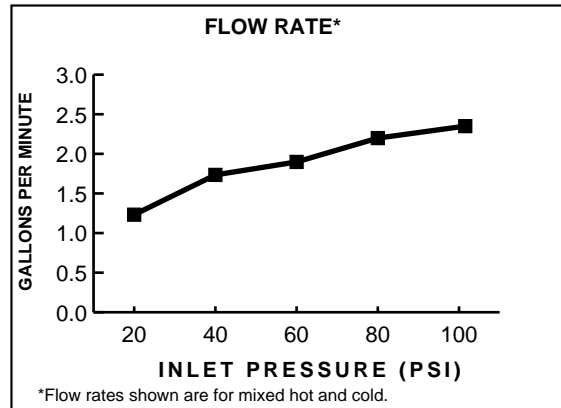
American Standard

Town Square
TWO-HANDLE WIDESPREAD
LAVATORY FAUCET
WITH BRASS SPOUT

CODES AND STANDARDS


These products meet or exceed the following codes and standards:

- ASME A112.18.1M**
- CSA B 125**
- NSF 61/Section 9**



Product Number	Description	Finish Options		
		Polished Chrome	PVD Polished Brass	PVD Satin
		002	099	295
2555.801	Lavatory faucet with pop-up drain. Metal Lever handles.			



 Meets the American Disabilities Act Guidelines and **ANSI A117.1** Requirements for the physically challenged.